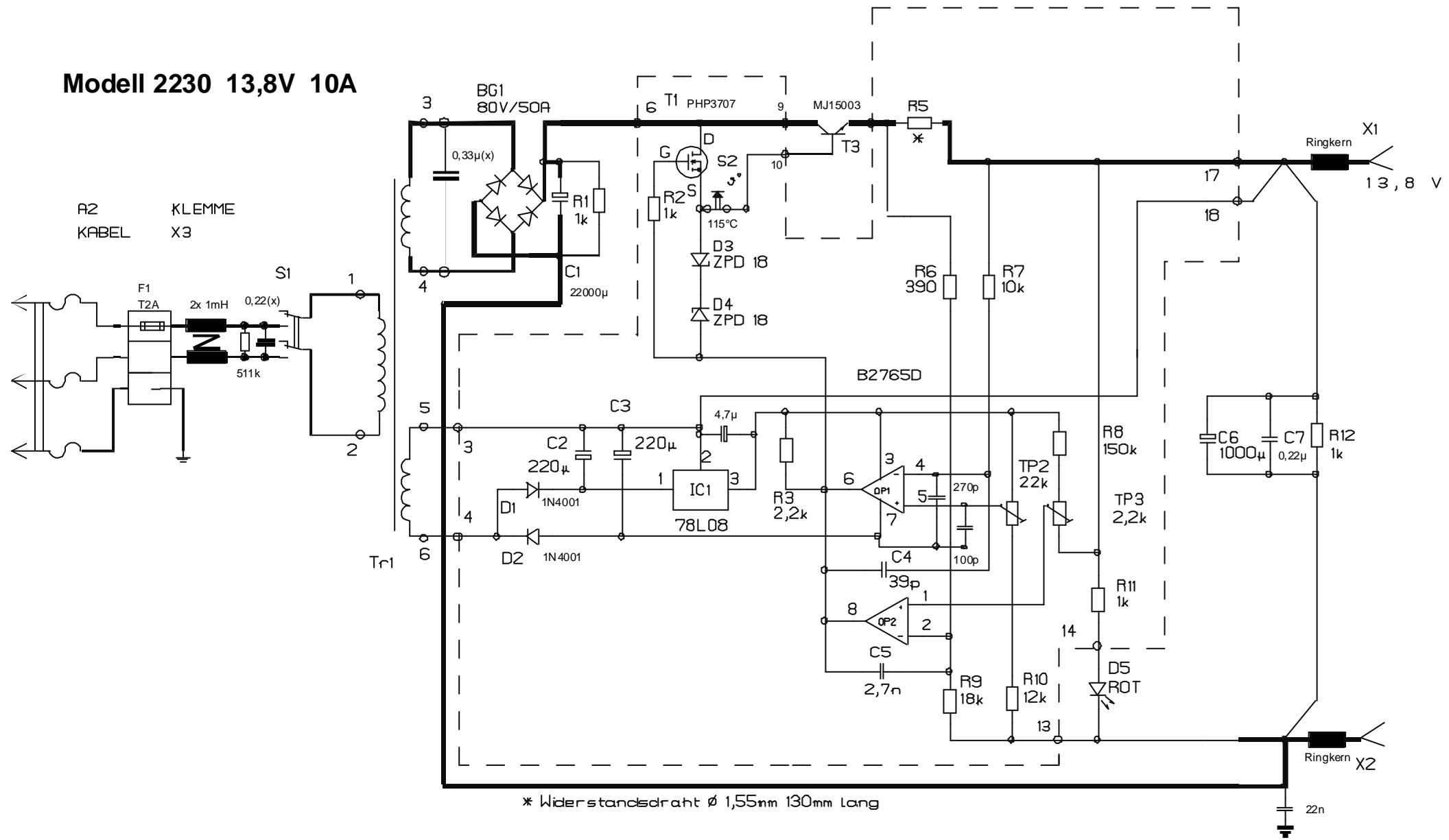
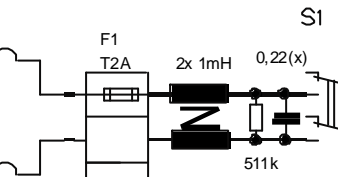


Modell 2230 13,8V 10A



R2 KABEL
KABEL X3



* Widerstandsdraht ø 1,55mm 130mm Lang

22n